

AUTOMATIC BOTTLE LABELING MACHINE

圓瓶式自動貼標機

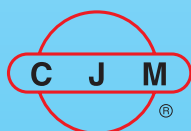
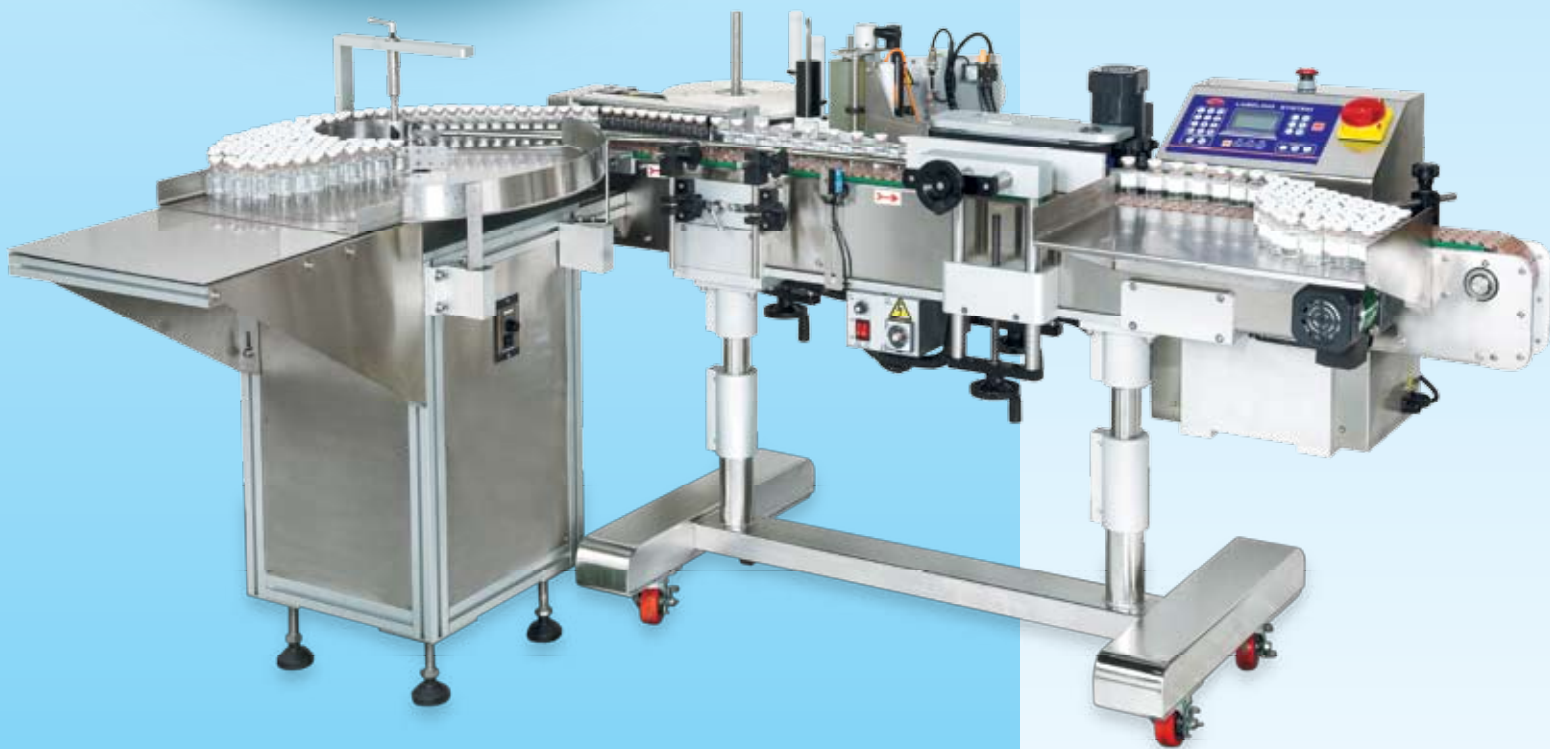
MODEL: **CJL-2000A**



ISO 9001:2008

039

0 1 5 9 9 0



CHYUN JYE

群捷機械有限公司

CHYUN JYE MACHINERY CO., LTD.

公司：桃園縣龜山鄉龍壽村龍校街121巷2弄4號

E-mail: chyunjye@ms15.hinet.net

http://www.chyunjye.com

FACTORY : 1F, NO. 4, ALLEY 2, LANE 121, LUNG

HSIAO STREET, LUNG-SHOU VILLAGE KUEI SHAN

HSIANG, TAO YUAN HSIEN, TAIWAN, R.O.C.

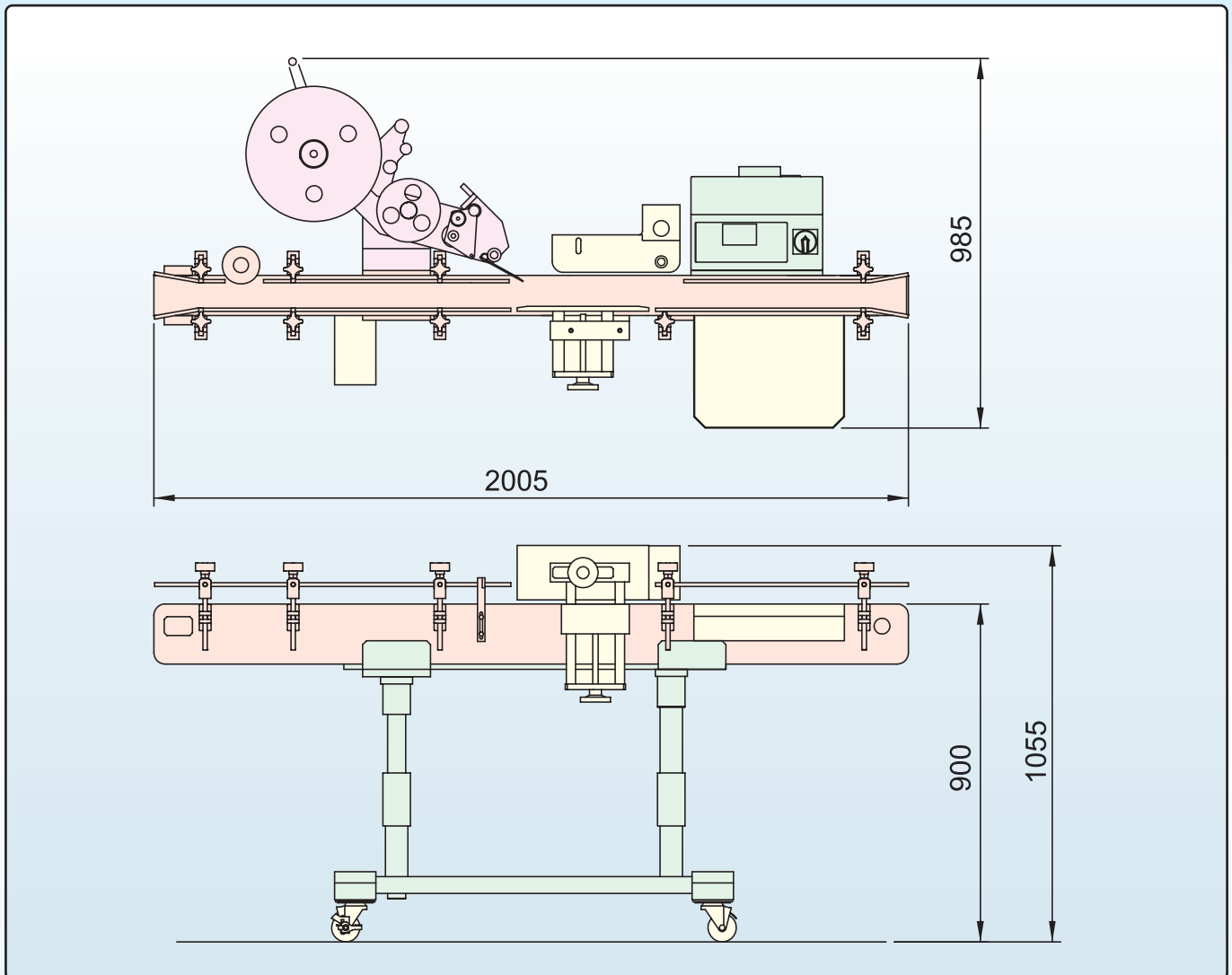
TEL : 886-3-320-5757

FAX : 886-3-3295378

圓瓶式自動貼標機

AUTOMATIC BOTTLE LABELING MACHINE

CJL-2000A



特性：

- 此機適用任何大小圓瓶或圓柱型物體，貼標可銜接充填、封鎖蓋機等自動生產線安裝。
- 依產品需要可加裝打印機。
- 收/送料盤可依需要選配。

Feature:

1. This machine is applied for labeling all small and large round or cylindrical containers
2. This machine can connect with filling or capping machines as automatic production line.
3. Lot number printer, bottle in-feed turntable, bottle collection table are also available as optional device.

Specificaitons 詳細規格

型號 Model	CJL-2000A	CJL-2000B
機器尺寸 Machine Size(LxWxH)	2000x1050x900	2000x1050x900
貼標速度 Labeling Speed	10-250 label/min.	10-250 label/min.
標籤長度 Label length	10-320mm	10-320mm
標籤高度 Label height	20-135mm	20-200mm
貼標物高度 Product Height	20-250	20-250
貼標物厚度(直徑)Product Thickness (Diameter)	10-110	10-110
紙卷內徑/外徑 Label Reel (ID)/(OD)	76m/m / 360 m/m	
電壓 Power Supply	110/220V 50/60HZ Voltage is one-way	

Specificaitons are subject to change without notice. 規格若有變更恕不另行通知。