

CHYUN JYE

半自動軟膏充填機

**Semi-Automatic
Ointment Filling
Machine**



MODEL :
CSH-F



群捷機械有限公司
CHYUN JYE MACHINERY CO., LTD.
公司：33355桃園市龜山區龍校街121巷2弄4號
E-mail : info@chyunjye.com
http : //www.chyunjye.com

Company & Factory : NO. 4, ALLEY 2, LANE 121, LONG
HSIAO STREET, KUEI SHAN DIST., TAOYUAN CITY
33355, TAIWAN, R.O.C.
TEL : 886-3-3205757 FAX : 886-3-3295378

MODEL : CSH-F

半自動軟膏充填機

Semi-Automatic Ointment Filling Machine

特性：

採用單軸調整活塞，能迅速精確的調整所需之容量。

活塞與液體接觸的部位，採用不鏽鋼及經硬鉻處理，加強表面硬度。

不鏽鋼面板設備面板可方便使用者清洗。

應用：

適用於高黏稠度液體之化妝品，藥品或食品充填。

Feature：

Filling System : Apply with piston filling cylinder to stabilize accurate filling volume.

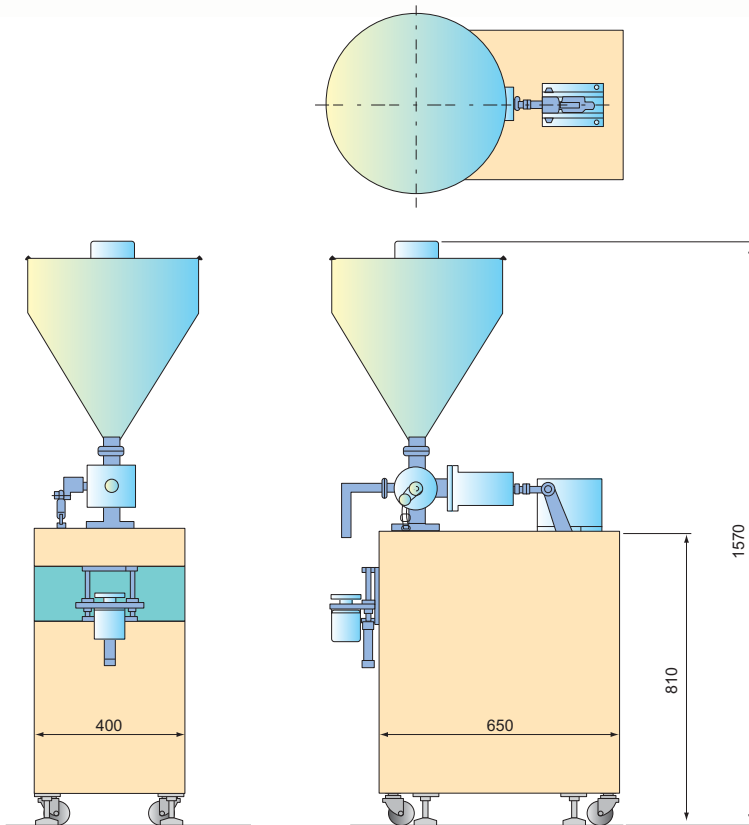
Filling Volume Adjustment : Apply mechanical adjustment to be convenient for users.

Filling piston is made by stainless steel with chrome coating to increase strength and life cycle.

Machine main frame is built by stainless steel benefits user execute cleaning procedure.

Application：

Apply for high viscosity liquid products filling procedure such as cream of cosmetic , pharmaceutical or food.



詳細規格 (Machine Specification)

機型 (Model)	CSH-F
充填容量 (Filling Volume)	5mL~60mL/30mL~150mL/100mL~500mL
生產速度 (Working Capacity)	20~30 Bottles/min
馬達馬力 (Motor Power)	0.4KW
電源 (Power Supply)	220V Single Phase 50Hz/60Hz
空氣壓力 (Copressed Air)(Customer Provide)	6kg/cm ²
機器尺寸 (Machine Dimension)	L900mmxW500mmxH1550mm
機器重量 (Mahcine Weight)	150kgs

Specificaitons are subject to change without notice. 規格若有變更恕不另行通知。